

SHAD

ENGINEERED FOR RIDING



USER GUIDE TOP CASE

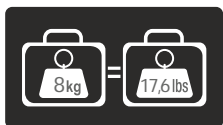
SH48

WWW.SHAD.ES

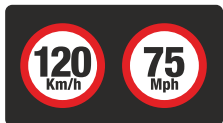
CARE AND MAINTENANCE



WARNING!



MAXIMUM WEIGHT



MAXIMUM SPEED, CHECK LOCAL LAWS.



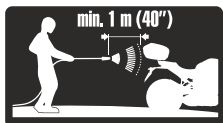
ALWAYS SECURE AND LOCK PRODUCTS.



ONLY USE RECOMMENDED CLEANING PRODUCTS.



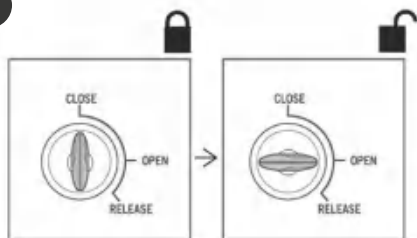
CASES ARE NOT DESIGNED TO PROTECT FRAGILE OBJECTS.



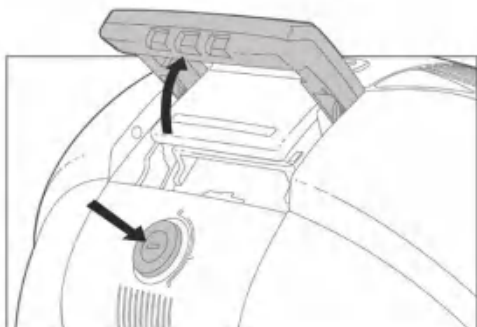
1 M. MINIMUM DISTANCE WITH POWER WASHER.

OPEN

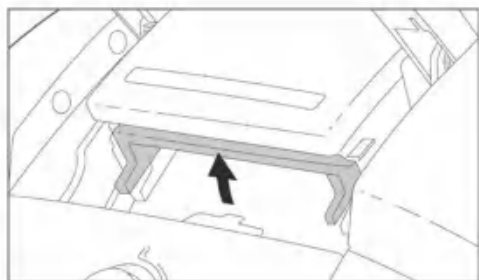
1



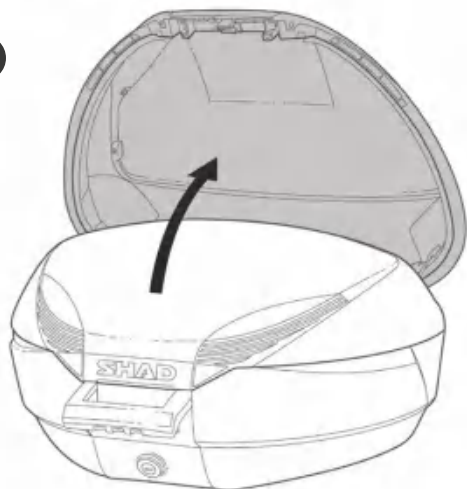
2



3



4

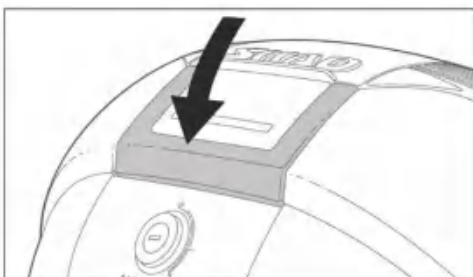


CLOSE

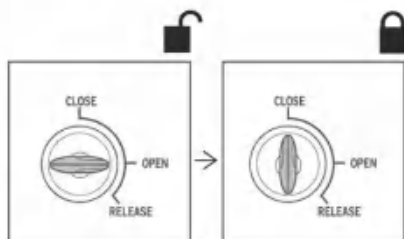
1



2

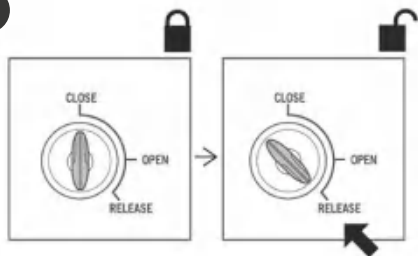


3

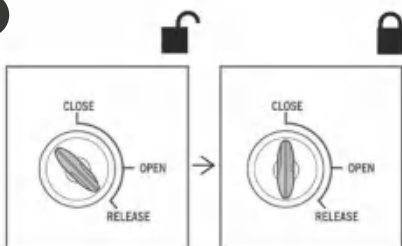


ASSEMBLY

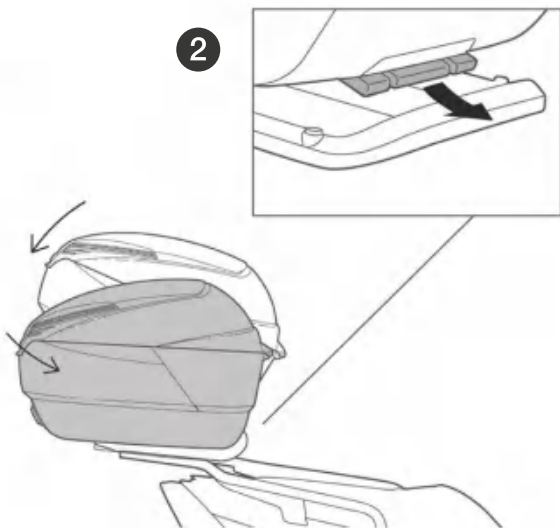
1



3

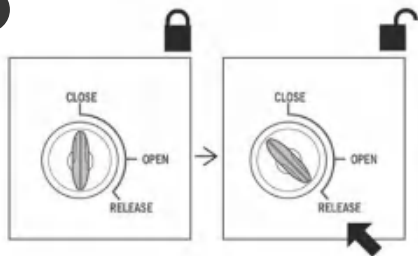


2

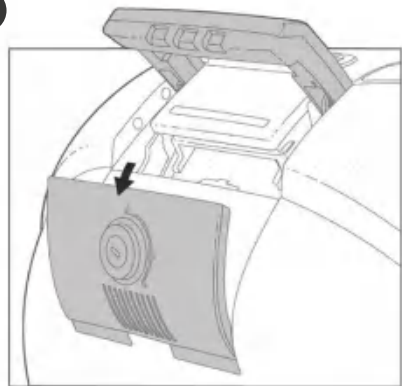


RELEASE

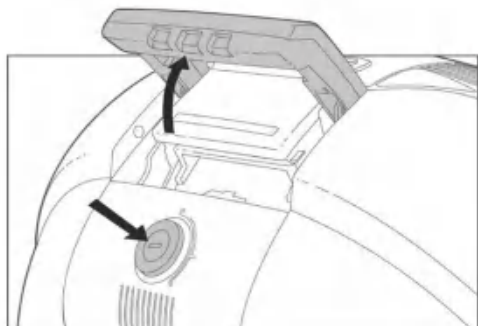
1



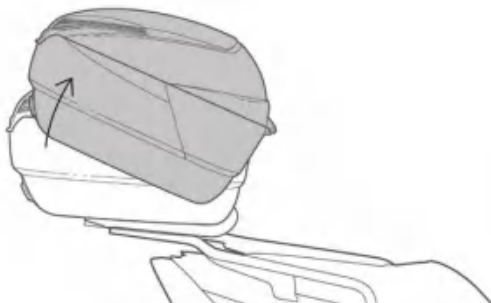
3



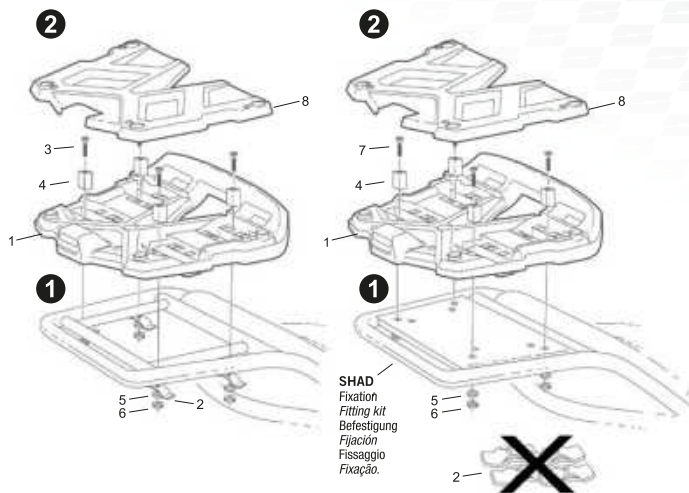
2



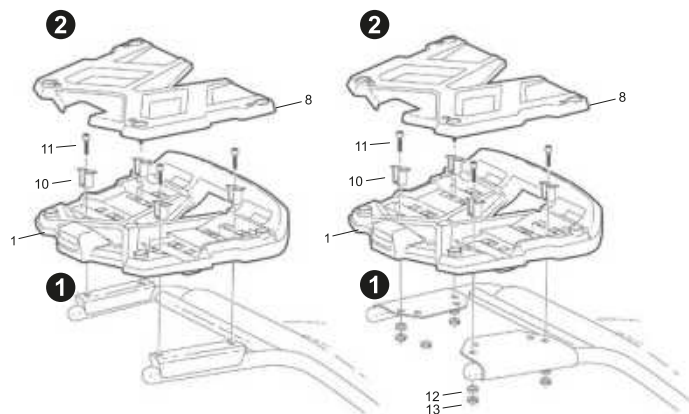
4



TOP CASE SUPPORT ASSEMBLY



Number	Reference	Quantity
1	201834 (Support piece)	1
2	201049 (Bridle)	4
3	304144 (Screw M6x40 DIN 965)	4
4	200713/2 (Plastic bridle)	4
5	303000 (Ø6 Washer fs M6 DIN 125 A)	4
6	302021 (M6 Nut M6 DIN 985)	4
7	304058 (Screw M6x30 DIN 965)	4
8	201835 (Cover support piece)	1
9	304127 (Screw Ø3'5x13 DIN 7982)	4
10	201504 (Metal piece) *	4
11	304074 (Screw M8x20 DIN 912) **	4
12	303020 (Ø8 Washer fs M8 DIN 125 A) **	4
13	302024 (Nut M8 DIN 985) **	4



⚠ CHECK BIKE COMPATIBILITY
WWW.SHAD.ES *

ACCESSORIES

BACKREST
Ref. DORI80

INNER BAG
Ref. X01B00

**ALUMINIUM
PLATE+SCREWS**
Ref. D1BTRPA

**ALUMINIUM
PLATE+SCREWS**
Ref. D1BTRPA2

**LUGGAGE
RACK**
Ref. D0PS00

BRAKE LIGHT
Ref. DOB40KL



X 21/29 Y 53 Z 34 (cm)
EXPANDABLE

LED

SH48 NEW TITANIUM COVER PLATES

NEW TITANIUM
Ref. DOB48400[no cover]

CARBON + BACKREST
Ref. DOB48406R

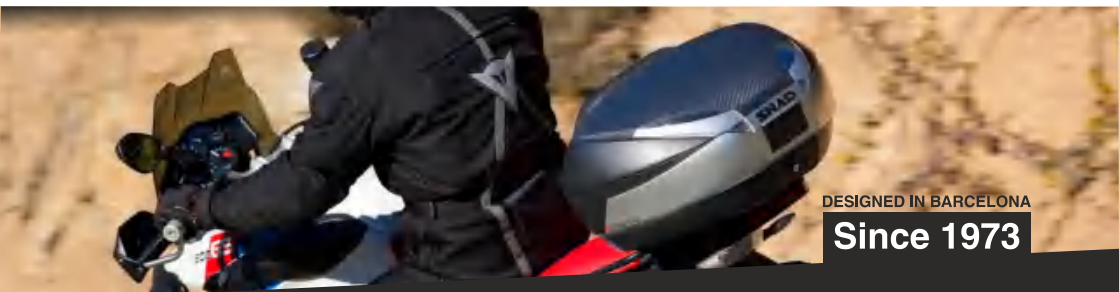
NEW TITANIUM
Ref. DOB48400+D1B48E15



CARBON
Ref. DOB48400+D1B48E06

WHITE
Ref. DOB48400+D1B48E08

BLACK METAL
Ref. DOB48400+D1B48E21



DESIGNED IN BARCELONA

Since 1973

SHAD EUROPE NAD SA
HEADQUARTERS

T: (+34) 935 795 866
Octave Lecante, 2-6
Mollet del Valles, 08100
Barcelona - Spain

SHAD CHINA

T: (+86) 21 6236 5730
Room 501 (Zone 1-T3),
No.1, Lane 268, Tai Hong Road,
MinHang District, 201107
Shanghai - China

SHAD USA

T: (+1) 305 652 6366
19096 NE 4th Court
Miami FL, 33179
USA

SHAD INDONESIA

T: (+62) 21 2271 8560
Jl. Kemang Selatan VIII No.56 Unit B
Jakarta 12730 Indonesia

WWW.SHAD.ES



WE ARE
DOING
GREEN

AS PART OF THE TERRA DEVELOPMENT PROJECT, FROM SHAD WE HAVE ACQUIRED THE COMMITMENT TO FIGHT AGAINST CLIMATE CHANGE BY REFORESTATION.



tree-nation

Tree-Nation is an open, collaborative platform to reforest the world.

Expand our SHAD forest
CAN YOU HELP US REFOREST?
JUST ENTER AND SEE HOW

WWW.SHAD.ES