

# SHAD

ENGINEERED FOR RIDING



USER GUIDE TOP CASE

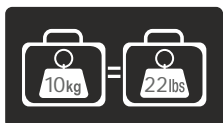
# SH59X

[WWW.SHAD.ES](http://WWW.SHAD.ES)

# CARE AND MAINTENANCE

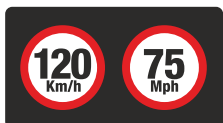


## **WARNING!**



MAXIMUM WEIGHT

---



MAXIMUM SPEED, CHECK LOCAL LAWS.

---



ALWAYS SECURE AND LOCK PRODUCTS.

---



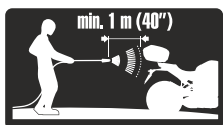
ONLY USE RECOMMENDED CLEANING PRODUCTS.

---



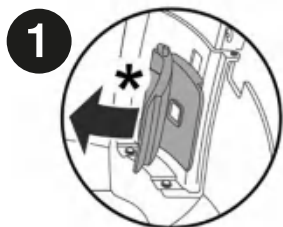
CASES ARE NOT DESIGNED TO PROTECT FRAGILE OBJECTS.

---



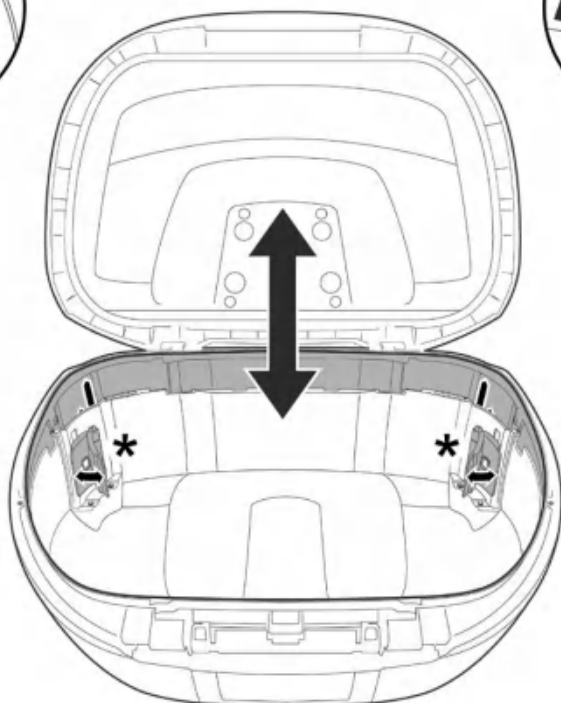
1 M. MINIMUM DISTANCE WITH POWER WASHER.

# EASY TO EXPAND



UNLOCK

2

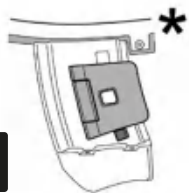


3

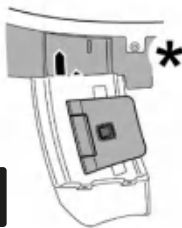


LOCK

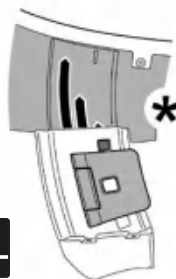
## 3 POSITIONS



L



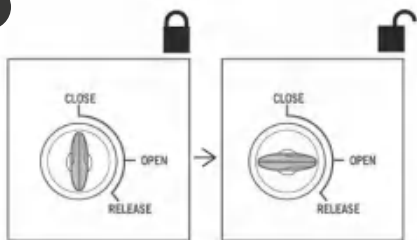
XL



XXL

# OPEN

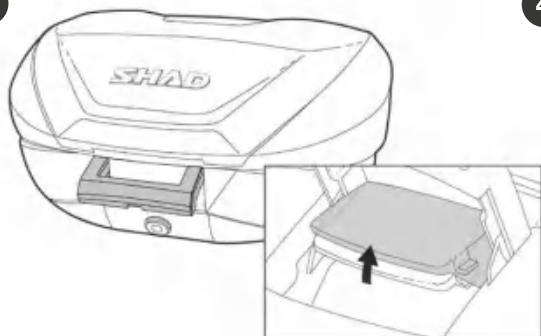
1



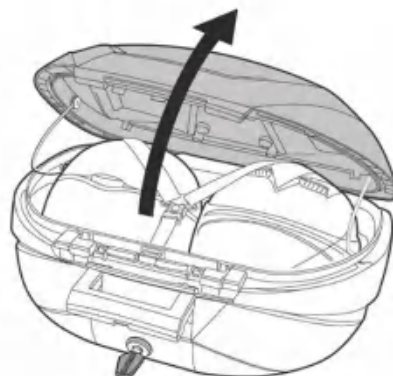
2



3

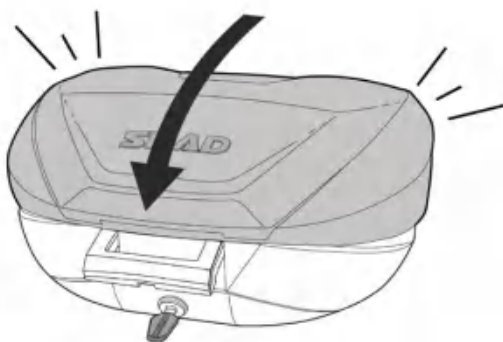


4



# CLOSE

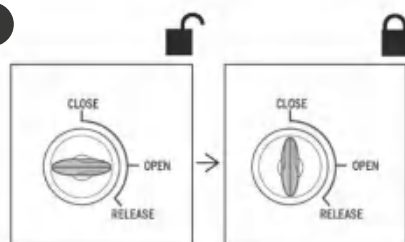
1



2

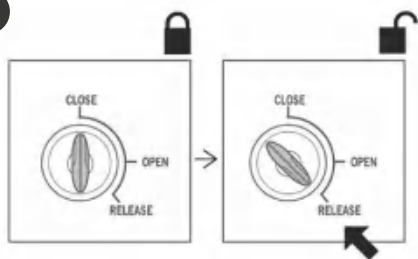


3

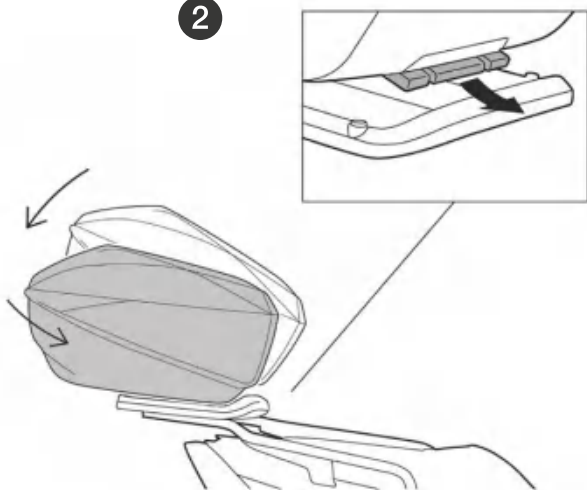


## ASSEMBLY

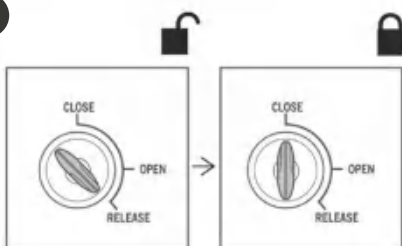
1



2

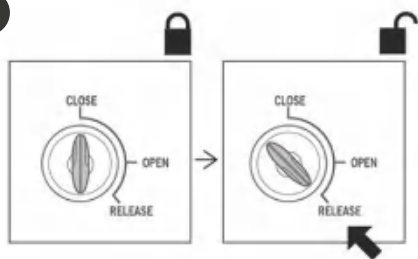


3



## RELEASE

1



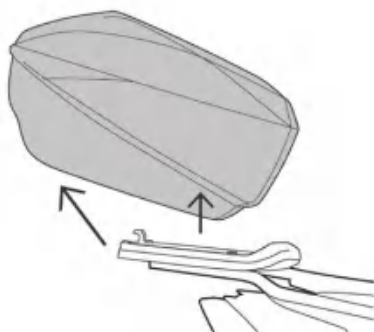
2



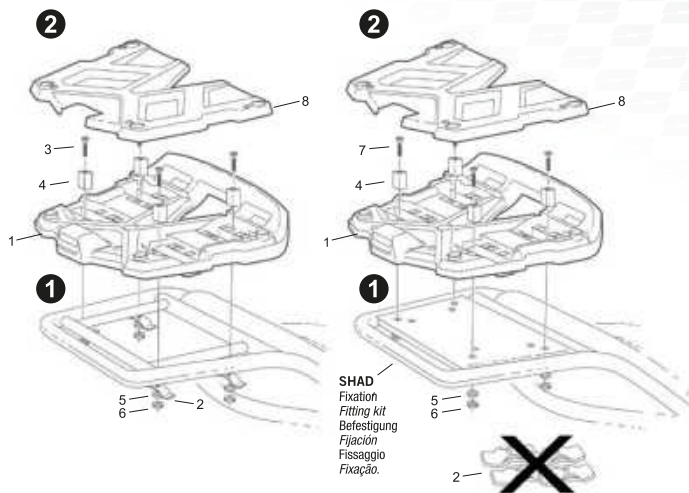
3



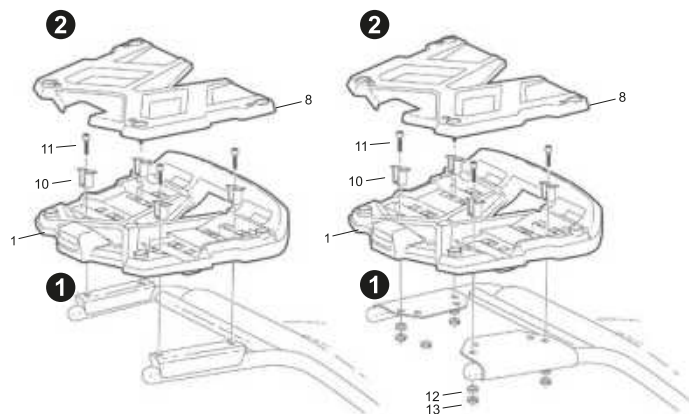
4



# TOP CASE SUPPORT ASSEMBLY



Number	Reference	Quantity
1	201834 (Support piece)	1
2	201049 (Bridle)	4
3	304144 (Screw M6x40 DIN 965)	4
4	200713/2 (Plastic bridle)	4
5	303000 (Ø6 Washer fs M6 DIN 125 A)	4
6	302021 (M6 Nut M6 DIN 985)	4
7	304058 (Screw M6x30 DIN 965)	4
8	201835 (Cover support piece)	1
9	304127 (Screw Ø3'5x13 DIN 7982)	4
10	201504 (Metal piece) *	4
11	304074 (Screw M8x20 DIN 912) **	4
12	303020 (Ø8 Washer fs M8 DIN 125 A) **	4
13	302024 (Nut M8 DIN 985) **	4



**⚠** CHECK BIKE COMPATIBILITY  
WWW.SHAD.ES \*

# ACCESSORIES

BACKREST  
Ref. DORI80

INNER BAG  
Ref. X0IB00

ALUMINIUM  
PLATE+SCREWS  
Ref. D1BTRPA

ALUMINIUM  
PLATE+SCREWS  
Ref. D1BTRPA2

BRAKE LIGHT  
Ref. DOB40KL



X 21/29 Y 53 Z 34 (cm)  
EXPANDABLE

LED



DESIGNED IN BARCELONA

Since 1973

SHAD EUROPE NAD SA  
HEADQUARTERS

T: (+34) 935 795 866  
Octave Lecante, 2-6  
Mollet del Valles, 08100  
Barcelona - Spain

SHAD CHINA

T: (+86) 21 6236 5730  
Room 501 (Zone 1-T3),  
No.1, Lane 268, Tai Hong Road,  
MinHang District, 201107  
Shanghai - China

SHAD USA

T: (+1) 305 652 6366  
19096 NE 4th Court  
Miami FL, 33179  
USA

SHAD INDONESIA

T: (+62) 21 2271 8560  
Jl. Kemang Selatan VIII No.56 Unit B  
Jakarta 12730 Indonesia

WWW.SHAD.ES



WE ARE  
DOING  
GREEN

AS PART OF THE TERRA DEVELOPMENT PROJECT, FROM SHAD WE HAVE ACQUIRED THE COMMITMENT TO FIGHT AGAINST CLIMATE CHANGE BY REFORESTATION.



**tree-nation**

Tree-Nation is an open, collaborative platform to reforest the world.

Expand our SHAD forest  
**CAN YOU HELP US REFOREST?**  
JUST ENTER AND SEE HOW

**WWW.SHAD.ES**